

Return Filters

E 212 · E 222

Tank top mounting · Connection up to G1¼ / -20 SAE · Nominal flow rate up to 220 l/min / 58.1 gpm



Return Filter E 222

Description

Application

In the return line circuits of hydraulic systems.

Performance features

Protection against wear:

By means of filter elements that even in full-flow filtration meet the highest demands regarding cleanliness classes.

Protection against malfunction:

By means of full-flow filtration in the system return, the pumps above all are protected from dirt particles remaining in the system after assembly, repairs, or which are generated by wear or enter the system from outside.

Special features

- › **By-pass valve:**
The location close to the inlet port prevents dirt particles retained by the filter element from entering into the clean oil side.
- › **Removable bowl:**
In case of maintenance the filter bowl is removed together with the filter element - therefore dirt particles are not flushed back into the tank.
- › **AirEX air separation:**
Prevents impairments and damage caused by air in the hydraulic medium and enables a significant reduction in tank size.
- › **Extension pipe:**
A correct extension pipe length ensures oil outlet below minimum oil level and prevents foaming.
- › **Filling filter / By-pass protection strainer:**
The filling filter is integrated in the filter element and prevents coarse particles from entering during filling or re-filling due to maintenance or repair reasons. Filling can be carried out at the filter. Therefore the cover must be removed. In operation, the filling filter functions as a by-pass protection strainer and prevents dirt from entering into the tank when the by-pass valve is open.
- › **Port for ventilating filter:**
The ventilating filter thread connection M42 x 2 allows assembly of a ventilating filter, which assumes ventilation of the tank. The ventilating filter has to be ordered separately.

Materials

Screw-on cap:	Polyester, GF-reinforced
Filter head:	Aluminum alloy
Filter bowl:	Polyamide, CF-reinforced, electrically conducting
Filling filter:	Polyamide, GF-reinforced, Polyester web
Seals:	NBR (FPM on request)
Filter media:	EXAPOR®MAX 3 - inorganic multi-layer microfiber web

Filter elements

Flow direction from outside to center.

The star-shaped pleating of the filter material results in:

- › large filter surfaces
- › low pressure drop
- › high dirt-holding capacities
- › long service life

Characteristics

Nominal flow rate

Return filter:

Up to 220 l/min / 58.1 gpm (see Selection Chart, column 2).

The nominal flow rates indicated by ARGO-HYTOS are based on the following features:

- › closed by-pass valve at $v \leq 200 \text{ mm}^2/\text{s} / 927 \text{ SUS}$
- › element service life > 1000 operating hours at an average fluid contamination of 0.07 g per l/min / 0.27 g per gpm flow volume
- › flow velocity in the connection lines $\leq 4.5 \text{ m/s} / 14.8 \text{ ft/s}$

Filling filter:

Up to 20 l/min / 5.3 gpm (see Selection Chart, column 3).

Connection

Threaded ports according to

- › ISO 228 or DIN 13
- › SAE standard J514

Sizes see Selection Chart, column 9, (other port threads on request).

For installation recommendations, see info sheet 00.325.

Filter fineness

5 $\mu\text{m(c)}$... 16 $\mu\text{m(c)}$

β -values according to ISO 16889

(see Selection Chart, column 5 and diagram Dx).

Dirt-holding capacity

Values in g test dust ISO MTD according to ISO 16889

(see Selection Chart, column 6).

Filter maintenance

By using a clogging indicator the correct moment for maintenance is stated and guarantees the optimum utilization of the filter life.

Accessories

Electrical and / or optical clogging indicators are available on request. Dimensions and technical data see catalog sheet 60.20.

Ventilating filters with connection thread M42 x 2 have to be ordered separately. Dimensions and technical data see catalogue sheet 50.20 and 50.30.

Extension pipes or diffusers on the bowl outlet are available on request.

Hydraulic fluids

Mineral oil and biodegradable fluids

(HEES and HETG, see info-sheet 00.20).

With high filling conditions we recommend an electrical conductivity $\geq 500 \text{ pS/m}$ at 20 °C / 68 °F.

Temperature range

-30 °C ... +100 °C (temporary -40 °C ... +120 °C)

-22 °F ... +212 °F (temporary -40 °F ... +248 °F)

Viscosity at nominal flow rate

- › at operating temperature: $v < 60 \text{ mm}^2/\text{s} / 280 \text{ SUS}$

- › as starting viscosity: $v_{\text{max}} = 1200 \text{ mm}^2/\text{s} / 5560 \text{ SUS}$

- › at initial operation:

The recommended starting viscosity can be read from the diagram D (pressure drop as a function of the kinematic viscosity) as follows: Find the 70% Δp of the cracking pressure of the by-pass valve on the vertical axis. Draw a horizontal line so that it intersects the Δp curve at a point. Read this point on the horizontal axis for the viscosity.

Operating pressure

Max. 10 bar / 145 psi

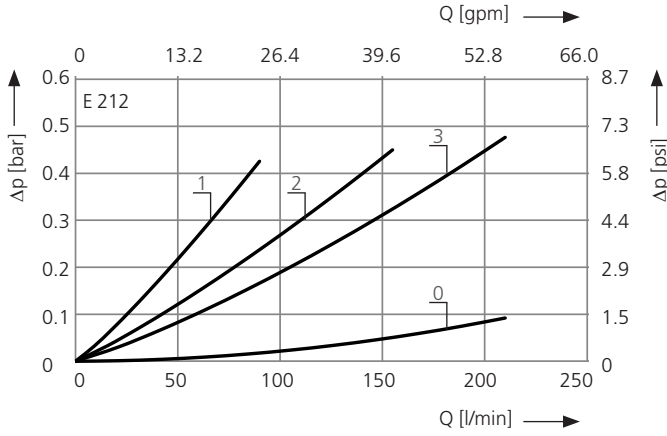
Mounting position

Preferably vertical, outlet downwards.

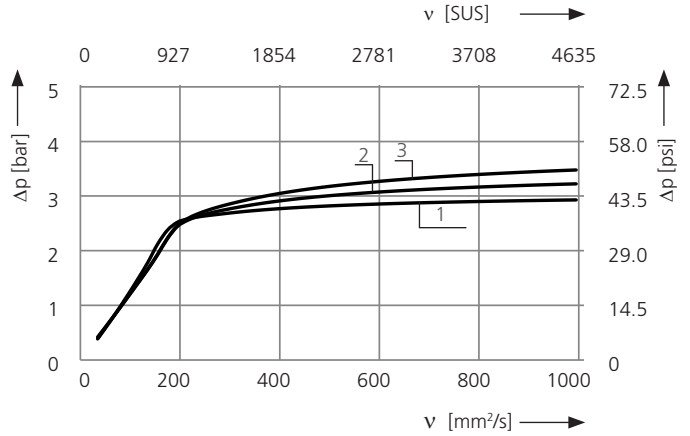
Δp -curves for complete filters in Selection Chart, column 4

Types without filling filter

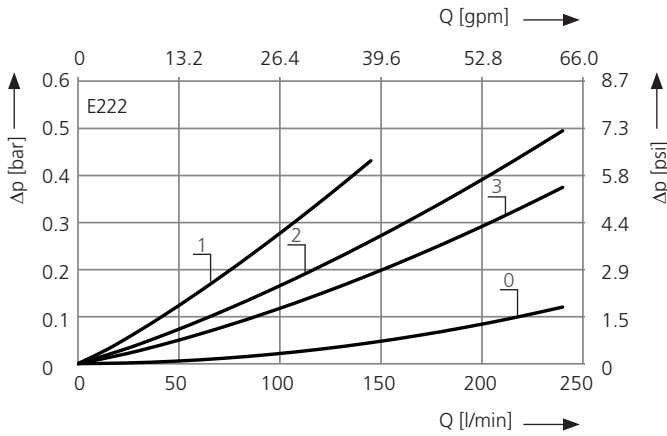
D1 Pressure drop as a function of the **flow volume** at $v = 35 \text{ mm}^2/\text{s} / 162 \text{ SUS}$ (0 = casing empty)



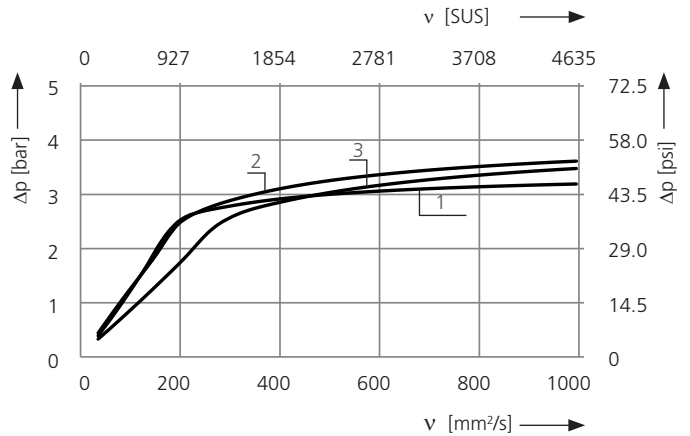
Pressure drop as a function of the **kinematic viscosity** at nominal flow



D2 Pressure drop as a function of the **flow volume** at $v = 35 \text{ mm}^2/\text{s} / 162 \text{ SUS}$ (0 = casing empty)

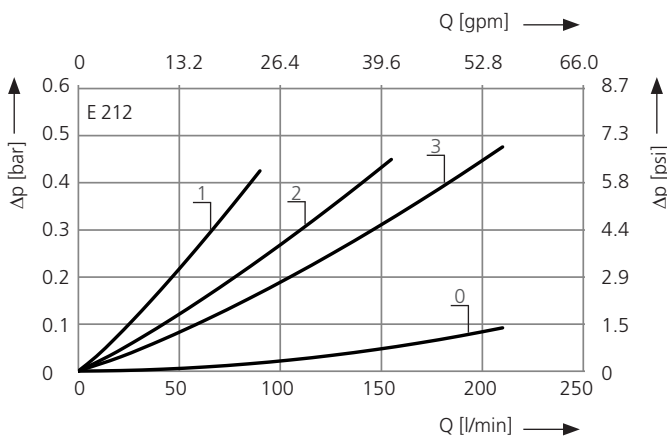


Pressure drop as a function of the **kinematic viscosity** at nominal flow

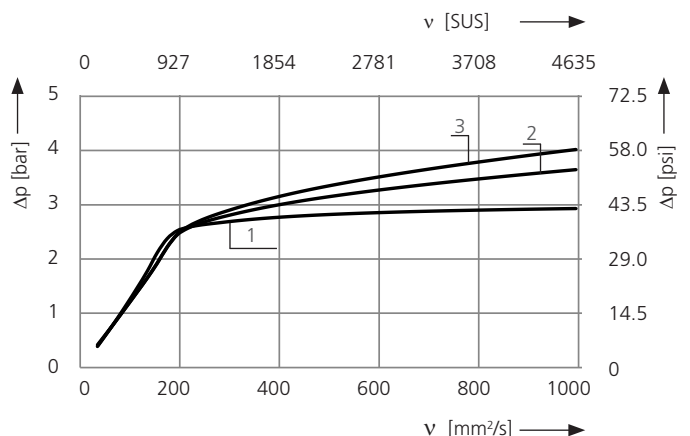


Types with filling filter

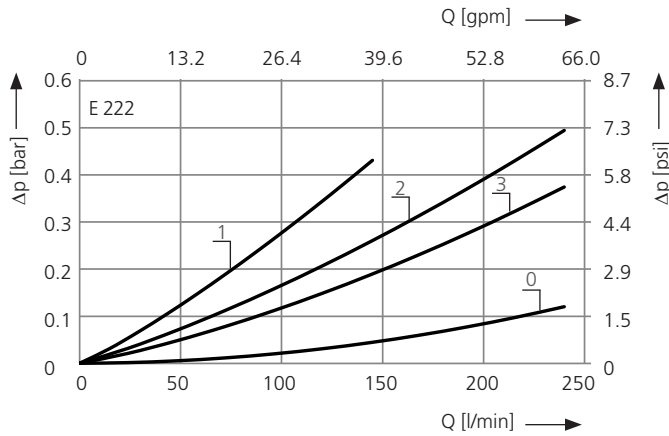
D3 Pressure drop as a function of the **flow volume** at $v = 35 \text{ mm}^2/\text{s} / 162 \text{ SUS}$ (0 = casing empty)



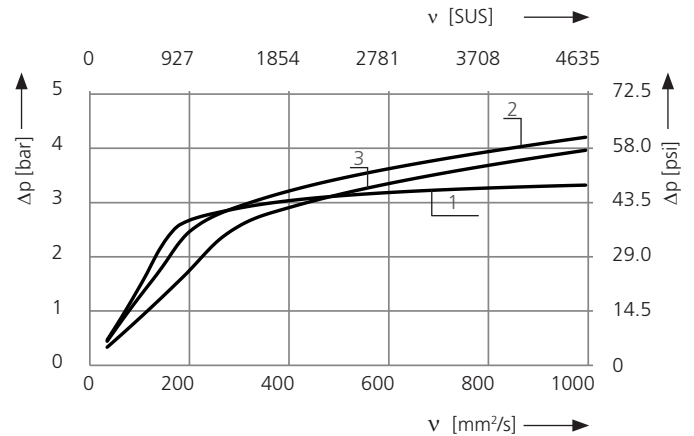
Pressure drop as a function of the **kinematic viscosity** at nominal flow



D4 Pressure drop as a function of the **flow volume** at $v = 35 \text{ mm}^2/\text{s} / 162 \text{ SUS}$ (0 = casing empty)

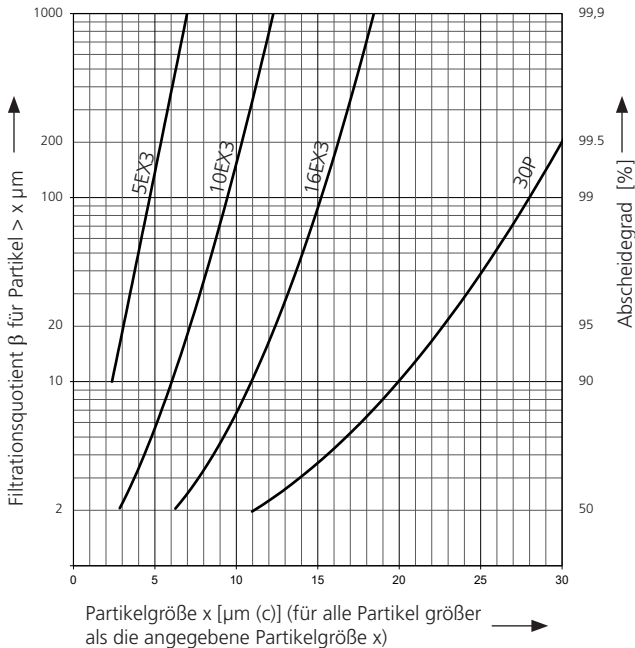


Pressure drop as a function of the **kinematic viscosity** at nominal flow



Filter fineness curves in Selection Chart, column 5

Dx Filtration ratio β as a function of particle size x obtained by the Multi-Pass-Test according to ISO 16889



The abbreviations represent the following β -values resp. finenesses:

For EXAPOR®MAX 3 and Paper elements:

- 5EX3 = $\beta_{5(c)} = 200$ EXAPOR®MAX 3
- 10EX3 = $\beta_{10(c)} = 200$ EXAPOR®MAX 3
- 16EX3 = $\beta_{16(c)} = 200$ EXAPOR®MAX 3
- 30P = $\beta_{30(c)} = 200$ Paper

Based on the structure of the filter media of the 30P paper elements, deviations from the printed curves are quite probable.

For screen elements:

- 40S = screen material with mesh size 40 μm
- 60S = screen material with mesh size 60 μm
- 100S = screen material with mesh size 100 μm

Tolerances for mesh size according to DIN 4189

For special applications, finenesses differing from these curves are also available by using special composed filter media.

Selection Chart

Part No.	Nominal flow rate Return filter	Nominal flow rate Filling filter ²	Pressure drop see Diagram D /curve No.	Filter fineness Filter fineness see diagr. Dx	Dirt-holding capacity	Filter fineness filling filter / by-pass protection strainer	Filter surface filling filter / by-pass protection strainer	Connection A	Cracking pressure of by-pass	Symbol	Replacement filter element Part No.	Ventilating filter element connection M42 x 2	Weight	Remarks
1	l/min	l/min		g	µm	cm ²		bar					kg	15
E 212-159	80	-	D1/1	5EX3	45	-	-	G1¼	2.5	1	V7.0820-03	-	1.7	
E 212-156¹	140	-	D1/2	10EX3	48	-	-	G1¼	2.5	1	V7.0820-06	-	1.7	
E 212-158¹	190	-	D1/3	16EX3	52	-	-	G1¼	2.5	1	V7.0820-08	-	1.7	
E 212-359	80	20	D3/1	5EX3	45	450	85	G1¼	2.5	3	K7.0820-03	•	2.0	³
E 212-356¹	140	20	D3/2	10EX3	48	450	85	G1¼	2.5	3	K7.0820-06	•	2.0	³
E 212-358¹	190	20	D3/3	16EX3	52	450	85	G1¼	2.5	3	K7.0820-08	•	2.0	³
E 222-159	130	-	D2/1	5EX3	78	-	-	G1¼	2.5	1	V7.0833-03	-	2.1	
E 222-156¹	220	-	D2/2	10EX3	84	-	-	G1¼	2.5	1	V7.0833-06	-	2.1	
E 222-158¹	220	-	D2/3	16EX3	91	-	-	G1¼	2.5	1	V7.0833-08	-	2.1	
E 222-359	130	20	D4/1	5EX3	78	450	85	G1¼	2.5	3	K7.0833-03	•	2.4	³
E 222-356¹	220	20	D4/2	10EX3	84	450	85	G1¼	2.5	3	K7.0833-06	•	2.4	³
E 222-358¹	220	20	D4/3	16EX3	91	450	85	G1¼	2.5	3	K7.0833-08	•	2.4	³

¹ Preferred type, no minimum order quantity required

² At 200 mm²/s (ISO VG46 at ca. 15°C / 59 °F)

³ Open connection for ventilating filter. Please assemble ventilating filter before operating.

All filters are delivered with a plugged clogging indicator connection M12 x 1.5. As clogging indicators either manometers or electrical pressure switches can be used. Optional extension pipes adapt the filter length to various tank depths. For ordering of accessories please use the below mentioned codes.

Order example: The filter E 222-151 is to be supplied with air separation (AE) and an extension pipe (EV) for a mounting depth of 500 mm.

Order description: E 222-151 / AE / EV 500

Part No. (Basic unit) _____

Housing outlet ²: _____

2 different versions are available

AE - Air separation AirEX, EV - extension pipe

Mounted extension pipe (4 various lengths are available on request) _____

E 212: EV 300, EV 366, EV 400, EV 466

E 222: EV 434, EV 500, EV 534, EV 600

For the appropriate ventilating filters with M42 x 2 thread connection see catalog sheet 50.20 and 50.30, for the appropriate clogging indicators see catalog sheet 60.20.

Remarks:

- › The switching pressure of the electrical pressure switch has always to be lower than the cracking pressure of the by-pass valve (see Selection Chart, column 10).
- › Clogging indicators are optional and always delivered detached from the filter.
- › The filters listed in this chart are standard filters. Other designs available on request.

⁴ On request, the air separation can be combined with an extension pipe.

Selection Chart

Part No.	Nominal flow rate Return filter	Nominal flow rate Filling filter ²	Pressure drop see Diagram DJ /curve No.	Filter fineness No.	Filter fineness see diagr. Dx	Dirt-holding capacity	Filter fineness filling filter / by-pass protection strainer	Filter surface filling filter / by-pass protection strainer	Connection A / A ₁	Cracking pressure of by-pass	Symbol	Replacement filter element Part No.	Ventilating filter thread connection M42 x 2	Weight	Remarks
	gpm	gpm		g	µm	inch ²	SAE	psi					lbs		
1	2	3	4	5	6	7	8	9	10	11	12	13	14	15	
E 212-769	21.1	-	D1/1	5EX3	45	-	-	-20 ³ /-16 ⁴	36	2	V7.0820-03	-	3.7		
E 212-766¹	37.0	-	D1/2	10EX3	48	-	-	-20 ³ /-16 ⁴	36	2	V7.0820-06	-	3.7		
E 212-768¹	50.2	-	D1/3	16EX3	52	-	-	-20 ³ /-16 ⁴	36	2	V7.0820-08	-	3.7		
E 212-869	21.1	5.3	D3/1	5EX3	45	450	13	-20 ³ /-16 ⁴	36	4	K7.0820-03	•	4.4	⁵	
E 212-866¹	37.0	5.3	D3/2	10EX3	48	450	13	-20 ³ /-16 ⁴	36	4	K7.0820-06	•	4.4	⁵	
E 212-868¹	50.2	5.3	D3/3	16EX3	52	450	13	-20 ³ /-16 ⁴	36	4	K7.0820-08	•	4.4	⁵	
E 222-769	34.3	-	D2/1	5EX3	78	-	-	-20 ³ /-16 ⁴	36	2	V7.0833-03	-	4.6		
E 222-766¹	58.1	-	D2/2	10EX3	84	-	-	-20 ³ /-16 ⁴	36	2	V7.0833-06	-	4.6		
E 222-768¹	58.1	-	D2/3	16EX3	91	-	-	-20 ³ /-16 ⁴	36	2	V7.0833-08	-	4.6		
E 222-869	34.3	5.3	D4/1	5EX3	78	450	13	-20 ³ /-16 ⁴	36	4	K7.0833-03	•	5.3	⁵	
E 222-866¹	58.1	5.3	D4/2	10EX3	84	450	13	-20 ³ /-16 ⁴	36	4	K7.0833-06	•	5.3	⁵	
E 222-868¹	58.1	5.3	D4/3	16EX3	91	450	13	-20 ³ /-16 ⁴	36	4	K7.0833-08	•	5.3	⁵	

¹ Preferred type, no minimum order quantity required

² At 927 SUS (ISO VG46 at approx. 15 °C / 59 °F)

³ Corresponds to 1⁵/₈-12 UN-2B

⁴ Corresponds to 1⁵/₁₆-12 UN-2B, plugged with locking screw

⁵ Open connection for ventilating filter, please assemble ventilating filter before operating

All filters are delivered with a plugged clogging indicator connection M12 x 1.5. As clogging indicators either manometers or electrical pressure switches can be used. Optional extension pipes adapt the filter length to various tank depths. For ordering of accessories please use the below mentioned codes.

Order example: The filter E 222-761 is to be supplied with air separation (AE) and an extension pipe (EV) for a mounting depth of 500 mm (19.69 inch).

Order description: E 222-761 / AE / EV 500

Part No. (Basic unit) _____

Housing outlet ²: _____

2 different versions are available

AE - Air separation AirEX, EV - extension pipe

Mounted extension pipe (4 various lengths are available on request) _____

E 212: EV 300 (11.81 inch). EV 366 (14.41 inch). EV 400 (15.74 inch). EV 466 (18.35 inch)

E 222: EV 434 (17.09 inch). EV 500 (19.69 inch). EV 534 (21.02 inch). EV 600 (23.62 inch)

For the appropriate ventilating filters with M42 x 2 thread connection see catalog sheet 50.20 and 50.30, for the appropriate clogging indicators see catalog sheet 60.20.

Remarks:

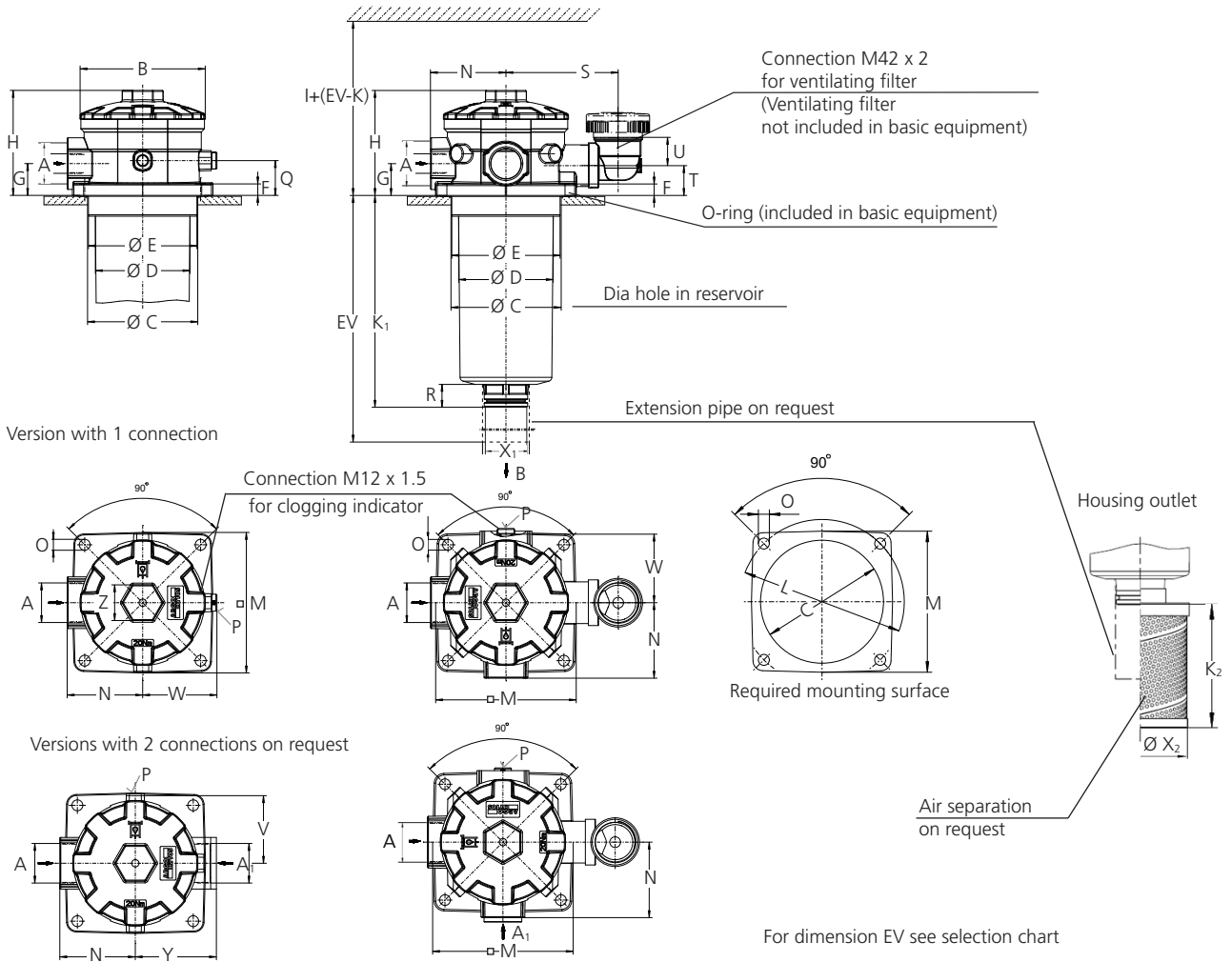
- › The switching pressure of the electrical pressure switch has always to be lower than the cracking pressure of the by-pass valve (see Selection Chart, column 10).
- › Clogging indicators are optional and always delivered detached from the filter.
- › The filters listed in this chart are standard filters. Other designs available on request.

⁶ On request, the air separation can be combined with an extension pipe.

Dimensions

Version without connection for ventilating filter

Version with connection for ventilating filter



Measurements in mm

Type	A	A ₁	B	C min./max.	D	E	F	G	H	I	K ₁	K ₂	L	M	N
E 212	G1¼	G1	126	118/121	95	110	11.5	32	105	325	213	133	165	141	76
E 222	G1¼	G1	126	118/121	95	110	11.5	32	105	455	347	133	165	141	76

Typ	O	Q	R	S	T	U	V	W	X ₁	X ₂	Y	Z			
E 212	11	35	23	113	30	28.5	68	74	44	92	83	AF36			
E 222	11	35	23	113	30	28.5	67	74	44	92	83	AF36			

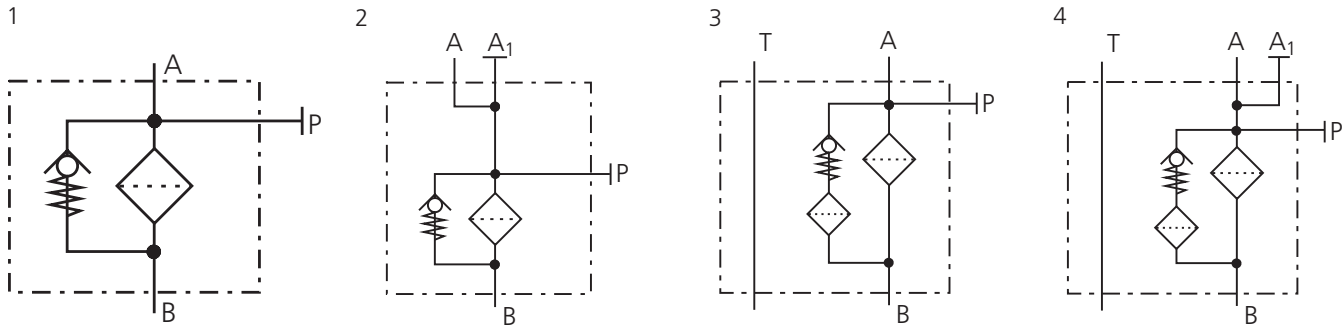
Measurements in inch

Type	A	A ₁	B	C min./max.	D	E	F	G	H	I	K ₁	K ₂	L	M	N
E 212	-20 ¹	-16 ²	4.96	4.65/4.76	3.74	4.29	0.45	1.26	4.13	12.80	8.39	5.24	6.50	5.55	2.99
E 222	-20 ¹	-16 ²	4.96	4.65/4.76	3.74	4.29	0.45	1.26	4.13	17.91	13.66	5.24	6.50	5.55	2.99

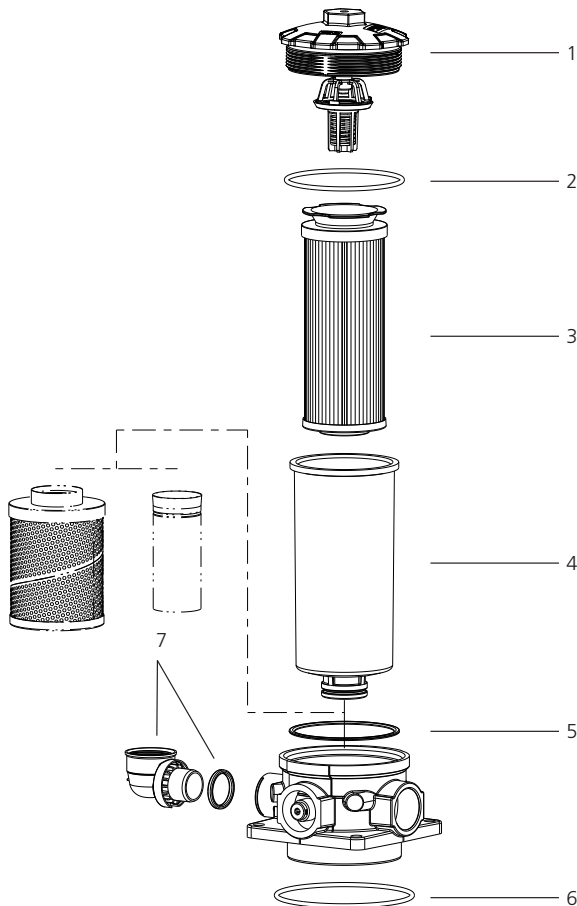
Typ	O	Q	R	S	T	U	V	W	X ₁	X ₂	Y	Z mm			
E 212	0.43	1.38	0.91	4.45	1.18	1.12	2.67	2.91	1.73	3.62	3.27	AF36			
E 222	0.43	1.38	0.91	4.45	1.18	1.12	2.67	2.91	1.73	3.62	3.27	AF36			

¹ Corresponds to 1½-12 UN-2B ² Corresponds to 1½/16-12 UN-2B

Symbols



Spare Parts



Pos.	Designation	Part No.
1	Screw-on cap with valve (2.5 bar / 36 psi) and Pos. 2	E 221.1200
1	Screw-on cap with valve (1.5 bar / 21 psi) and Pos. 2	E 221.1210
2	O-ring 100 x 4 mm 3.94 x 0.16 inch	N007.1004
3	Replacement filter element	see Chart / col. 12
4	Filter bowl E 212*	E 212.0901
4	Filter bowl E 222*	E 222.0901
5	O-ring 90 x 4 mm 3.54 x 0.16 inch	N007.0904
6	O-ring 126 x 4 mm 4.96 x 0.16 inch	N007.1264
7	Connection for ventilating filter (incl. O-ring 31 x 4 mm / 1.22 x 0.16 inch)	E 222.1900

*Specify mounting depth (EV) in mm

The functions of the complete filters as well as the outstanding features of the filter elements assured by ARGO-HYTOS can only be guaranteed if original ARGO-HYTOS spare parts are used.

Quality Assurance

Quality management according to DIN EN ISO 9001

To ensure constant quality in production and operation, ARGO-HYTOS filter elements undergo strict controls and tests according to the following ISO standards:

ISO 2941	Verification of collapse / burst pressure rating
ISO 2942	Verification of fabrication integrity (Bubble Point Test)
ISO 2943	Verification of material compatibility with fluids
ISO 3968	Evaluation of pressure drop versus flow characteristics
ISO 16889	Multi-Pass-Test (evaluation of filter fineness and dirt-holding capacity)
ISO 23181	Determination of resistance to flow fatigue using high viscosity fluid

Various quality controls during the production process guarantee the leakfree function and solidity of our filters.

Illustrations may sometimes differ from the original. ARGO-HYTOS is not responsible for any unintentional mistake in this specification sheet.